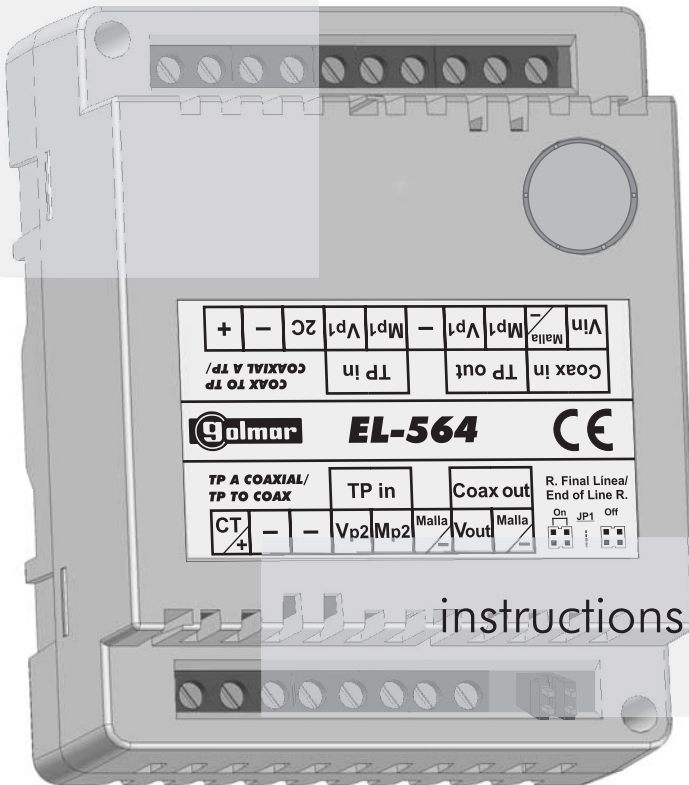




Video Converter

EL-564



| | | | | | | | | | |
|----------------------------------|---|----|--------|-----|-------|----------|-------|--------|---------------------------------|
| + | - | 2C | Vp1 | Mp1 | - | Vp1 | Mp1 | Malla | Vin |
| COAXIAL A TP / COAX TO TP | | | | | | | | | |
| Coax In | | | TP out | | | TP in | | | |
| Galmar EL-564 CE | | | | | | | | | |
| TP A COAXIAL / TP TO COAX | | | TP in | | | Coax out | | | R. Final Linea / End of Line R. |
| CT | - | - | Vp2 | Mp2 | Malla | Vout | Malla | On JP1 | Off |

instructions manual

First of all we would like to thank and congratulate you for the purchase of this product manufactured by Golmar.

The commitment to reach the satisfaction of our customers is stated through the ISO-9001 Certification and for the manufacturing of products like this one.

Its advanced technology and exacting quality control will do that customers and users enjoy with the legion of features this system offers. To obtain the maximum profit of these features and a properly wired installation, we kindly recommend you to expend a few minutes of your time to read this manual.

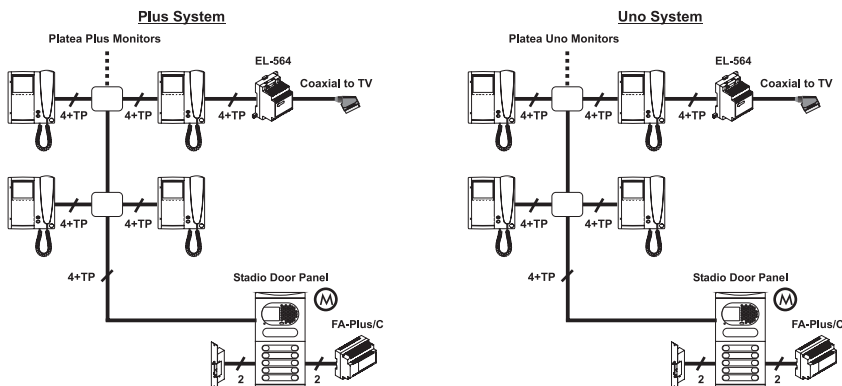
SYSTEM CHARACTERISTICS

- ⇨ Video Converter for **Plus or Uno** system with **4+TP** installation.
- ⇨ It converts video signal from twisted pair to coaxial and from coaxial to twisted pair.
- ⇨ It allows the following functions for **Plus or Uno** system with **4+TP** installation:
 - Connection of video signal from **Platea Plus/Uno** monitor with 4+TP installation to a **television set**.
 - To Connect "2 wires" **V2Plus** system to a "4+TP" Plus coded panel or general door panel.
 - To Connect "5 wires" **Vista Plus** system to a "4+TP" Plus coded panel or general door panel.
 - Connection of a 2nd camera with coaxial to a "4+TP" **Plus/Uno** system with Platea Plus monitors.
- ⇨ Differentiated connection block:
 - Connection block for twisted pair to coaxial video signal conversion.
 - Connection block for coaxial to twisted pair video signal conversion.
- ⇨ End of line JP1 jumper.
- ⇨ Specific Power supply not needed for this converter, it takes of the installation the supplies voltage.

OPERATION MODES

Twisted Pair to Coaxial Converter (connection of video signal from Platea Plus/Uno monitor with 4+TP installation to a television set)

EL-564 is necessary to convert from twisted pair to coaxial in order to connect the monitor (Plus/Uno with 4+TP installation) to the TV. Then the coaxial video signal, through the euroconnector, can be used on the TV (installation diagram on page 34).

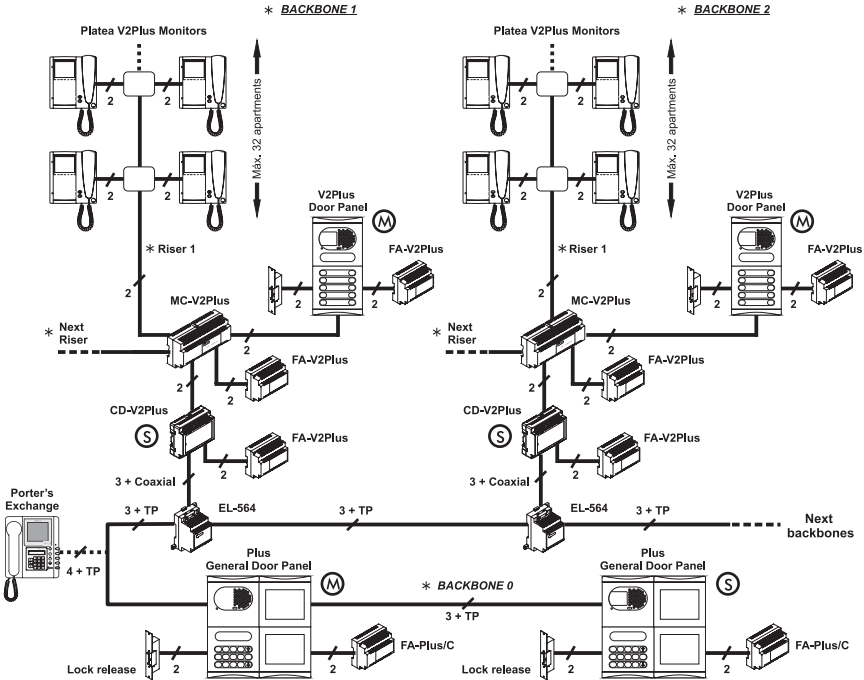


Twisted Pair to Coaxial Converter (V2Plus system with General Door Panels Plus & 4+TP installation)

EL-564 is necessary for converting the twisted pair from the General Door Panel to coaxial, in order to connect the video signal to CD-V2Plus protocol converter with coaxial input.

This kind of installation requires a converter for each internal Backbone.

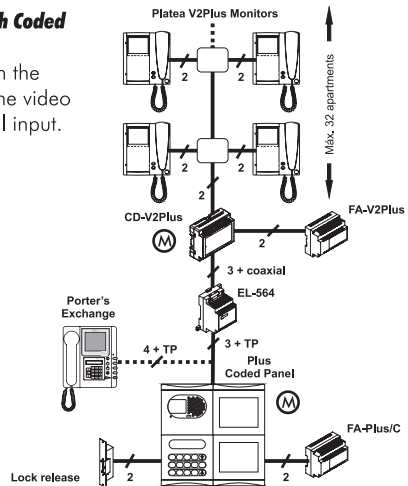
See installation diagram on page 37.



Twisted Pair to Coaxial Converter (V2Plus system with Coded Panel Plus and 4+TP installation)

EL-564 is necessary for converting twisted pair from the Coded Door Panel to coaxial in order to connect the video signal to CD-V2Plus protocol converter with coaxial input.

See installation diagram on page 35.



*** Glossary:**

Backbone: Logical Address.
 Riser: Physical wiring of the installation in the same backbone or logical address.

(M) = Master.

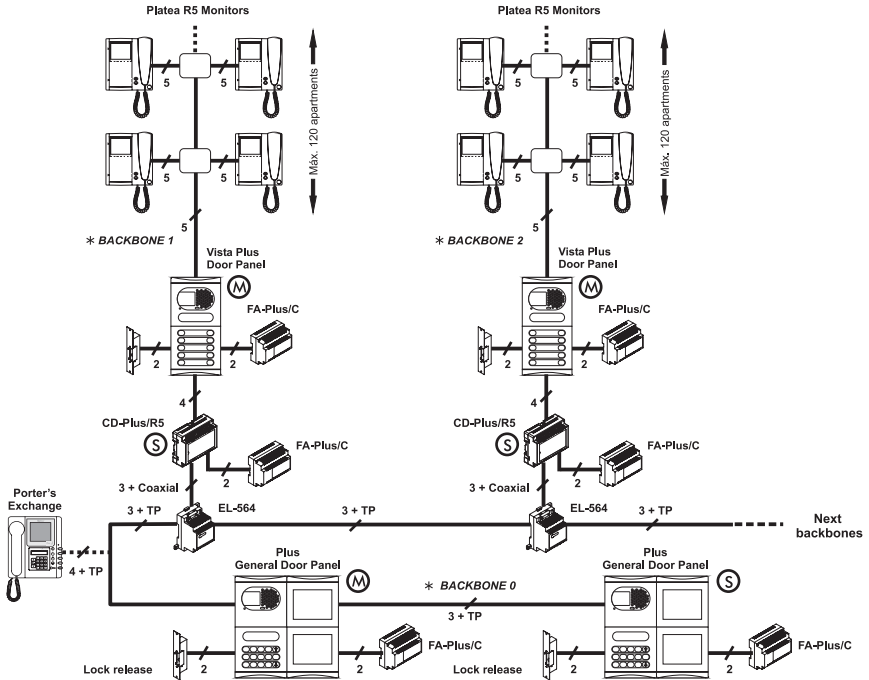
(S) = Slave.

Twisted Pair to Coaxial Converter (Vista Plus system with General Door Panels Plus & 4+TP installation)

EL-564 is necessary for converting twisted pair from the General Door Panel to coaxial, in order to connect the video signal to CD-Plus/R5 converter with coaxial input.

This kind of installation requires a converter for each internal Backbone.

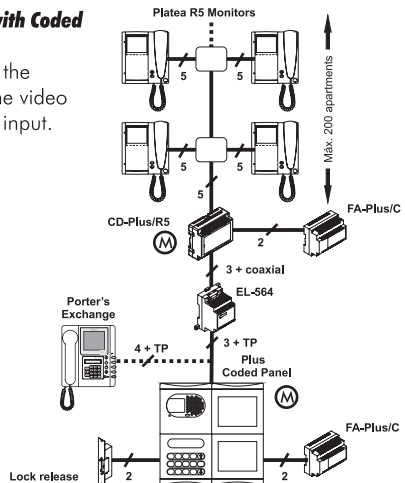
See installation diagram on page 39.



Twisted Pair to Coaxial Converter (Vista Plus system with Coded Panel Plus and 4+TP installation)

EL-564 is necessary for converting twisted pair from the Coded Door Panel to coaxial, in order to connect the video signal to CD-V2Plus protocol converter with coaxial input.

See installation diagram on page 36.



*** Glossary:**

Backbone: Logical Address.

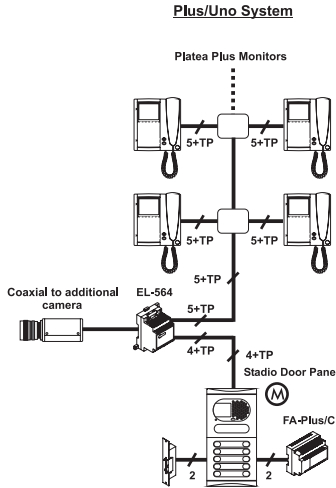
Riser: Physical wiring of the installation in the same backbone or logical address.

(M) = Master.

(S) = Slave.

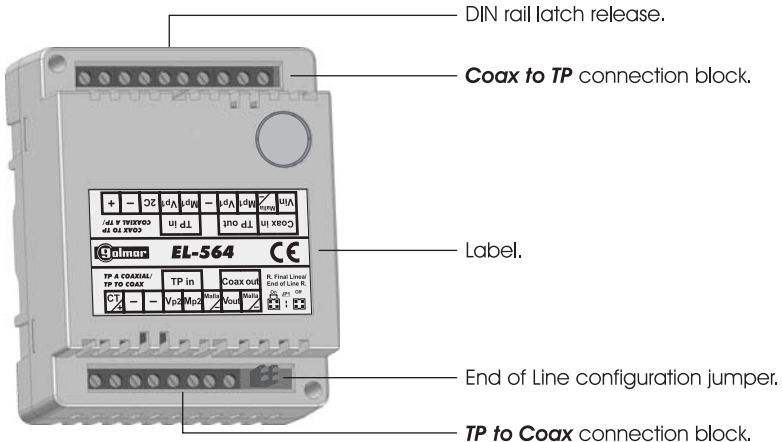
Coaxial to Twisted Pair Converter (Plus/Uno 4+TP system with Platea Plus monitor and 2nd camera with coaxial connection)

EL-564 is necessary for converting coaxial from the camera to the installation twisted pair.
See installation diagram on page 41.



DESCRIPTION

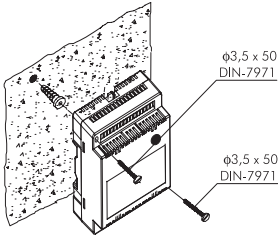
Description of converter.



D

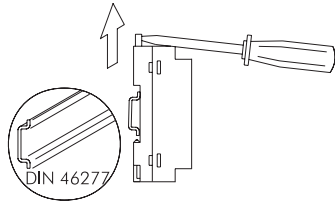
etail of converter installation.

Install the converter in a dry and protected place without risk of drip or water projections. To avoid damage, the converter must be firmly fixed.



To install the converter directly on the wall, drill two holes of 6mm. diameter and insert the wallplugs. Fix the converter with the specified screws.

The converter can be installed on a DIN guide with (4 elements) simply pressing it. To extract the converter from the DIN guide, use a plain screwdriver to lever the flange as shown on the picture.

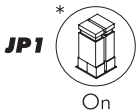
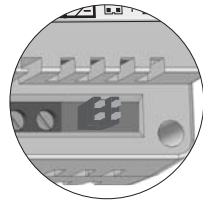


CONFIGURATION

D

escription of the configuration jumper.

The configuration jumper JP1 should be configured only those applications wherever necessary to convert the twisted pair to coaxial video signal.



End of line resistor.

Set On if the video cable (twisted pair) ends at the converter.

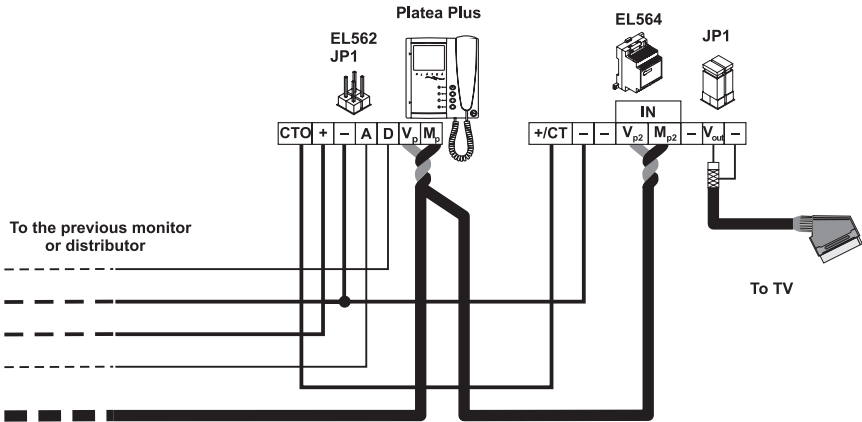


End of line resistor.

Set Off if the video cable (twisted pair) doesn't end at the converter.

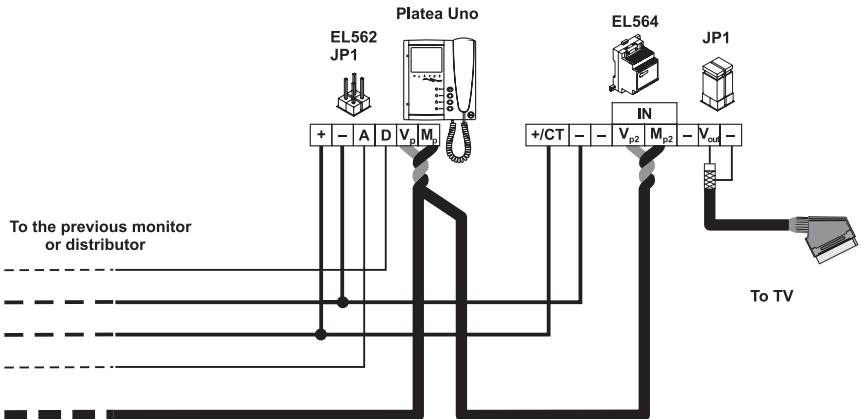
*Factory default

Twisted Pair to Coaxial Converter (connection of video signal from Platea Plus monitor with 4+TP installation to a television set).



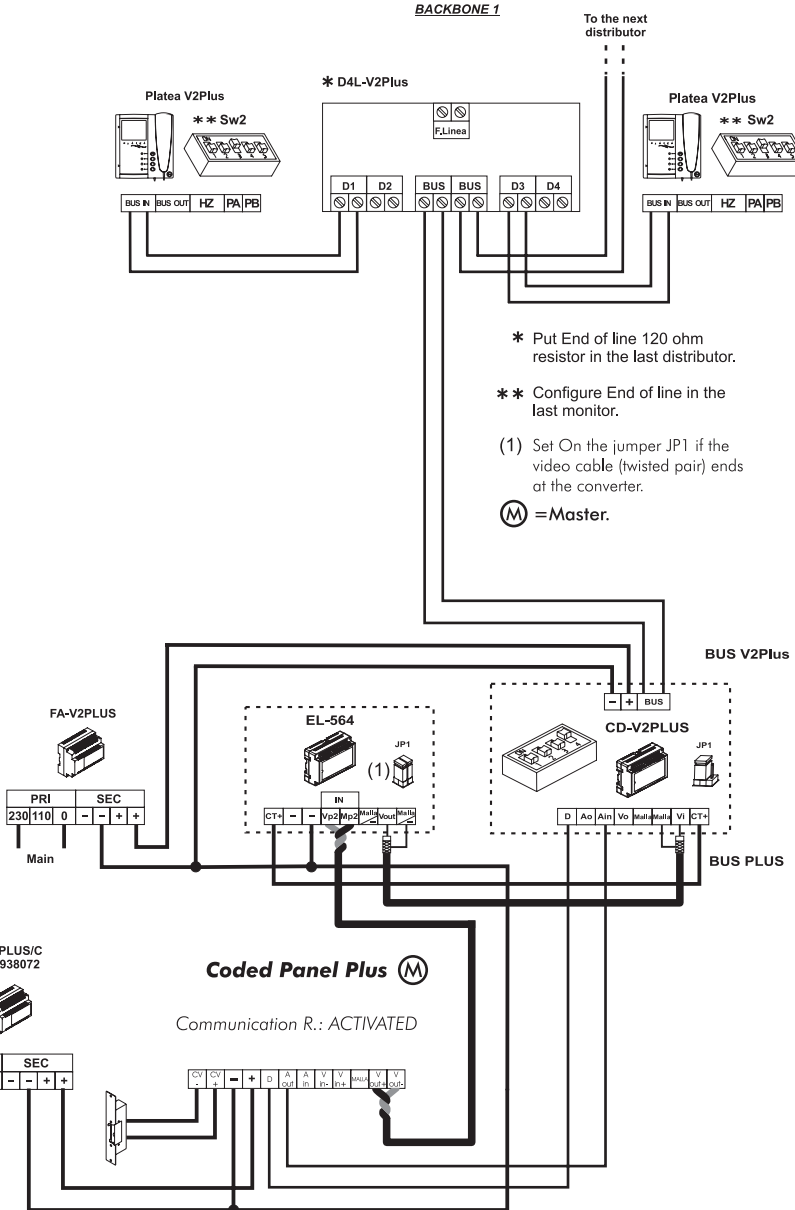
Note: Set On JP1 jumper where the twisted pair wire ends.

Twisted Pair to Coaxial Converter (connection of video signal from Platea Uno monitor with 4+TP installation to a television set).



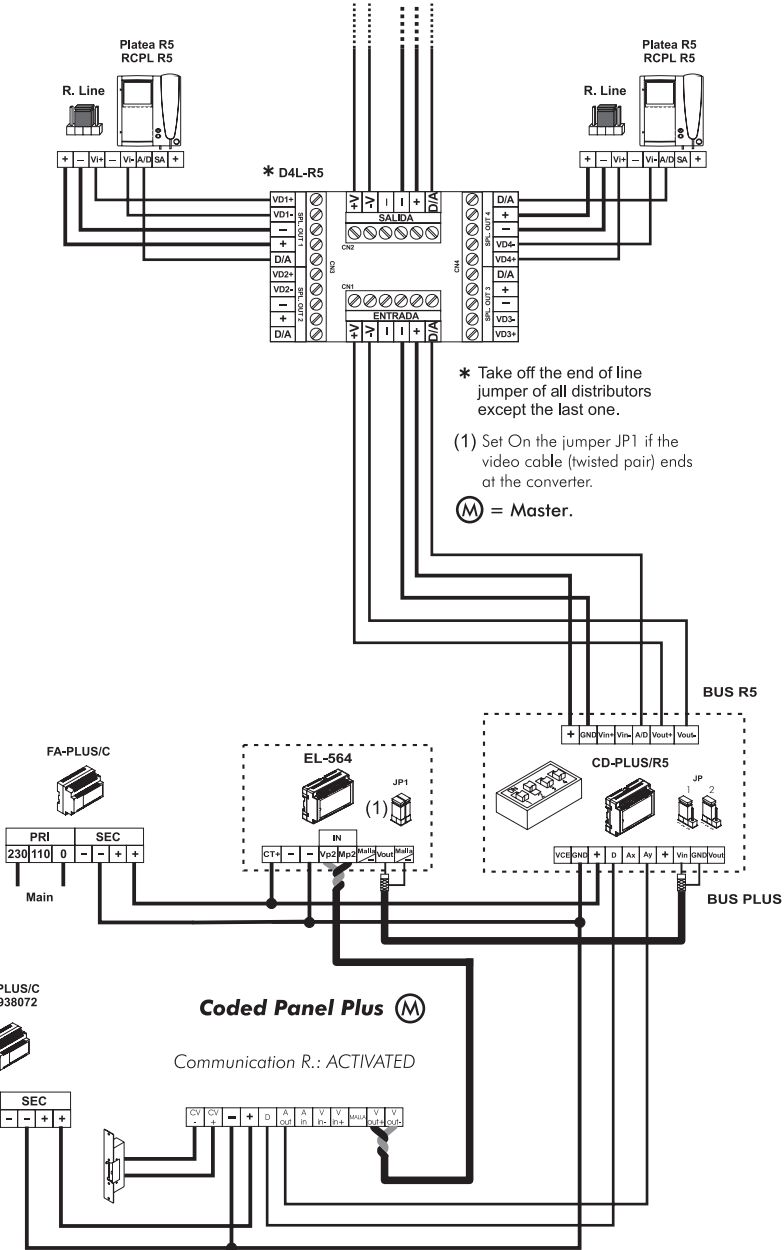
Note: Set On JP1 jumper where the twisted pair wire ends.

Twisted Pair to Coaxial Converter (V2Plus system with Coded Panel Plus and 4+TP installation).



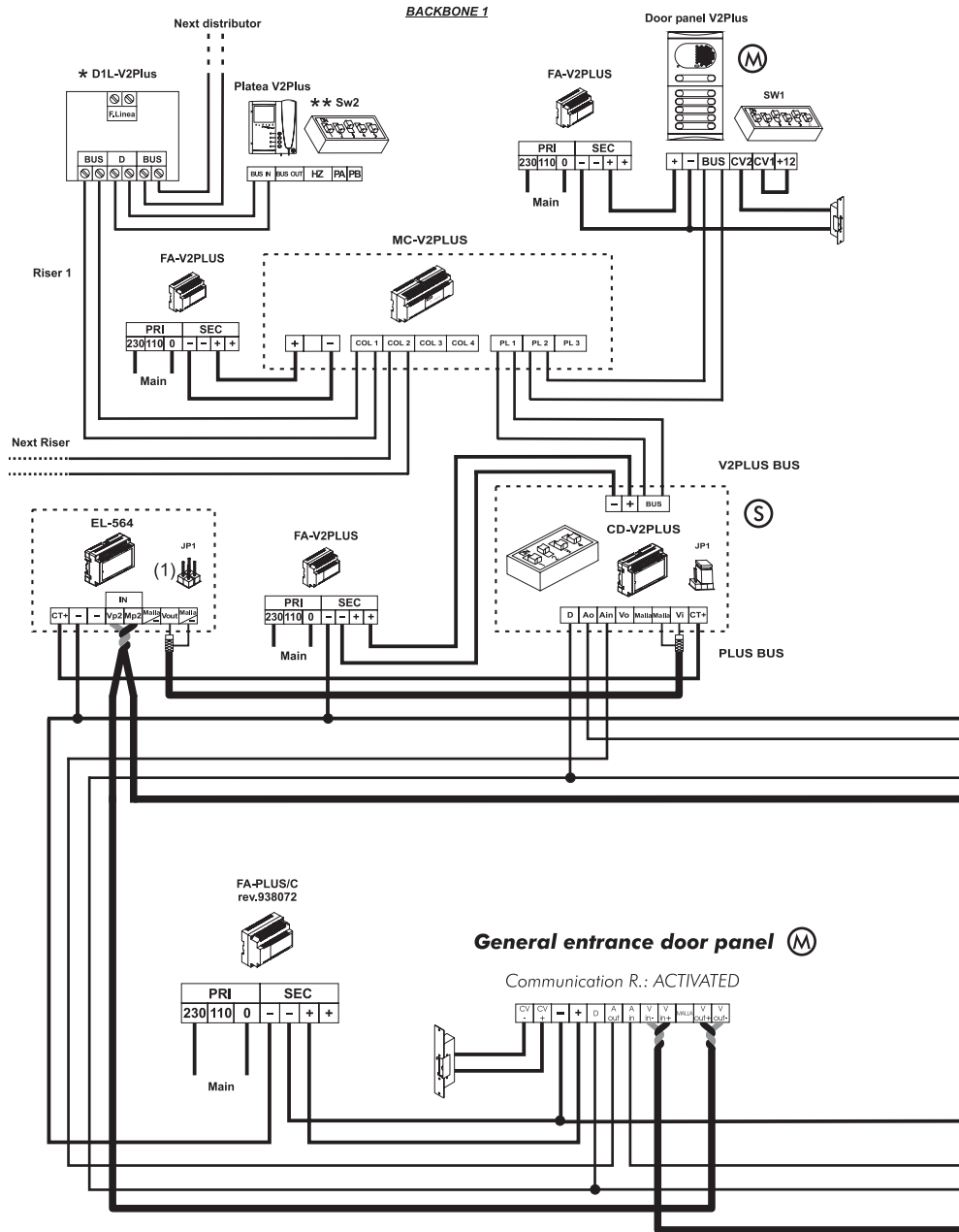
IMPORTANT: To configure and to program each equipment see the appropriate instruction book.

Twisted Pair to Coaxial Converter (Vista Plus system with Coded Panel Plus and 4+TP installation).

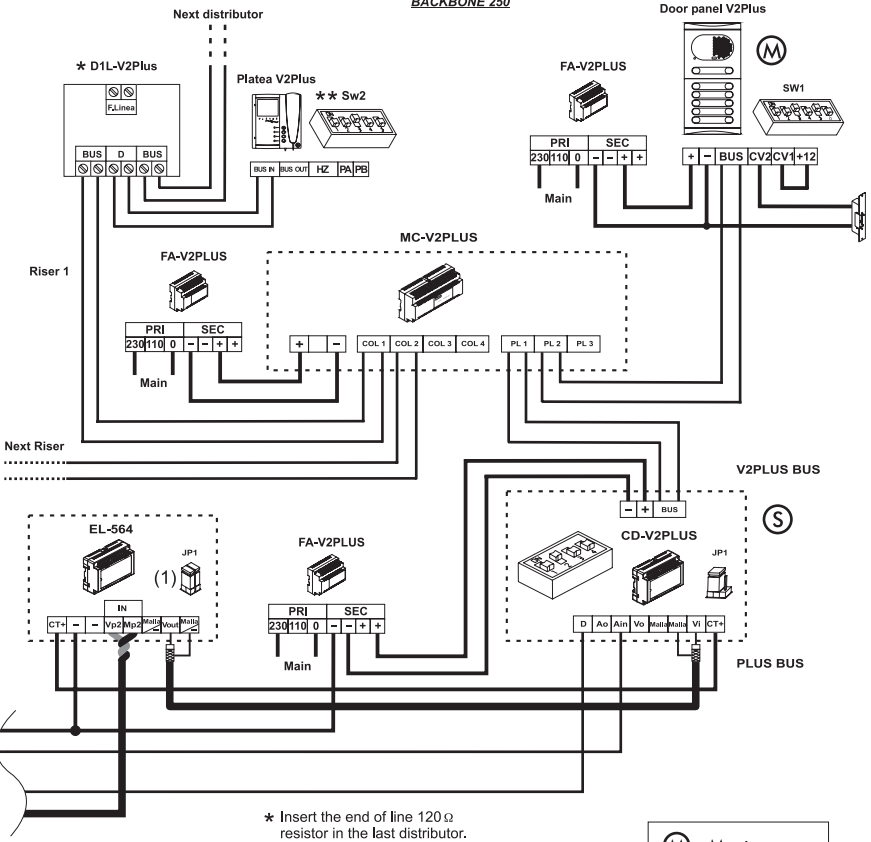


IMPORTANT: To configure and to program each equipment see the appropriate instruction book.

Twisted Pair to Coaxial Converter (V2Plus system with general entrance door panel Plus and 4+TP installation).



BACKBONE 250



- * Insert the end of line 120 Ω resistor in the last distributor.
- ** Setting the end of line in the last monitor.
- (1) Set to On the jumper JP1 "end on line resistor" if the video cable (twisted pair) ends at the converter EL564.

(M) = Master.

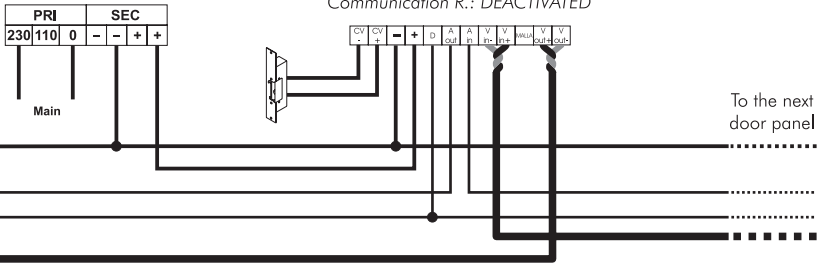
(S) = Slave.

FA-PLUS/C
rev.938072

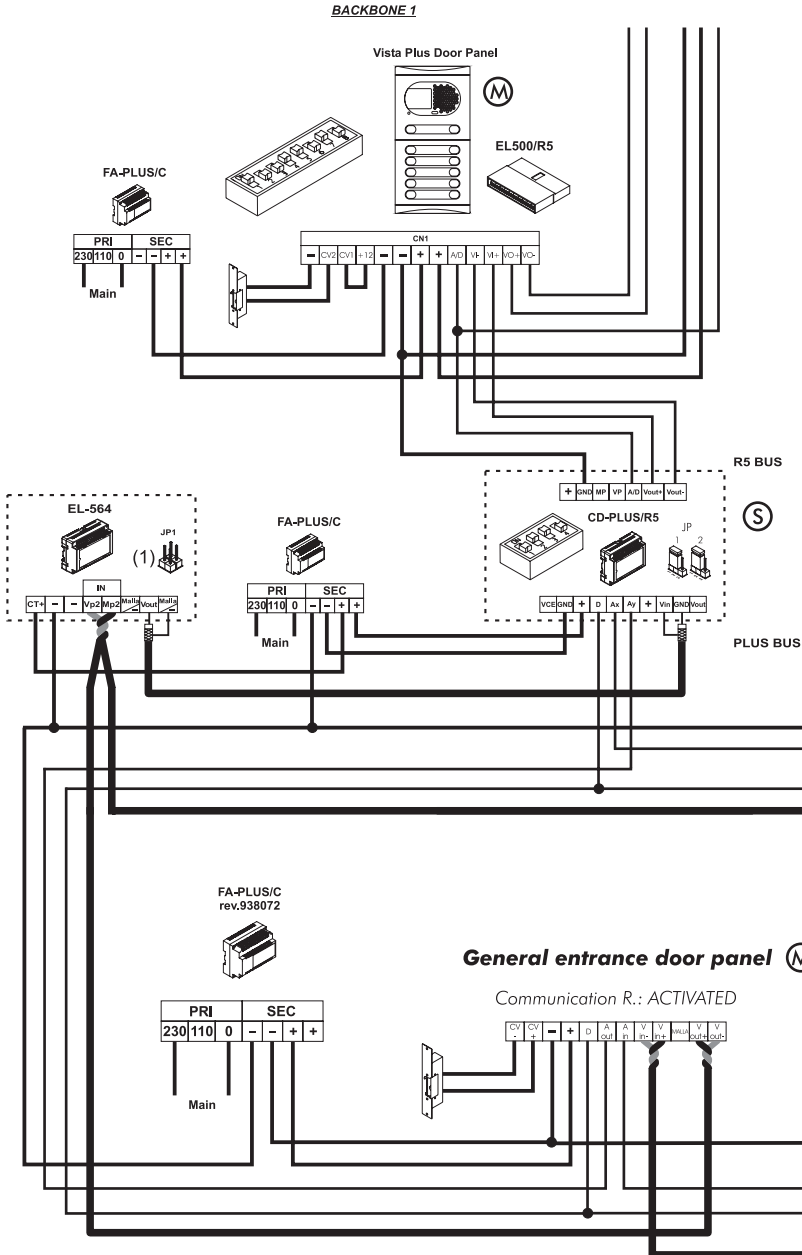


General entrance door panel (S)

Communication R.: DEACTIVATED

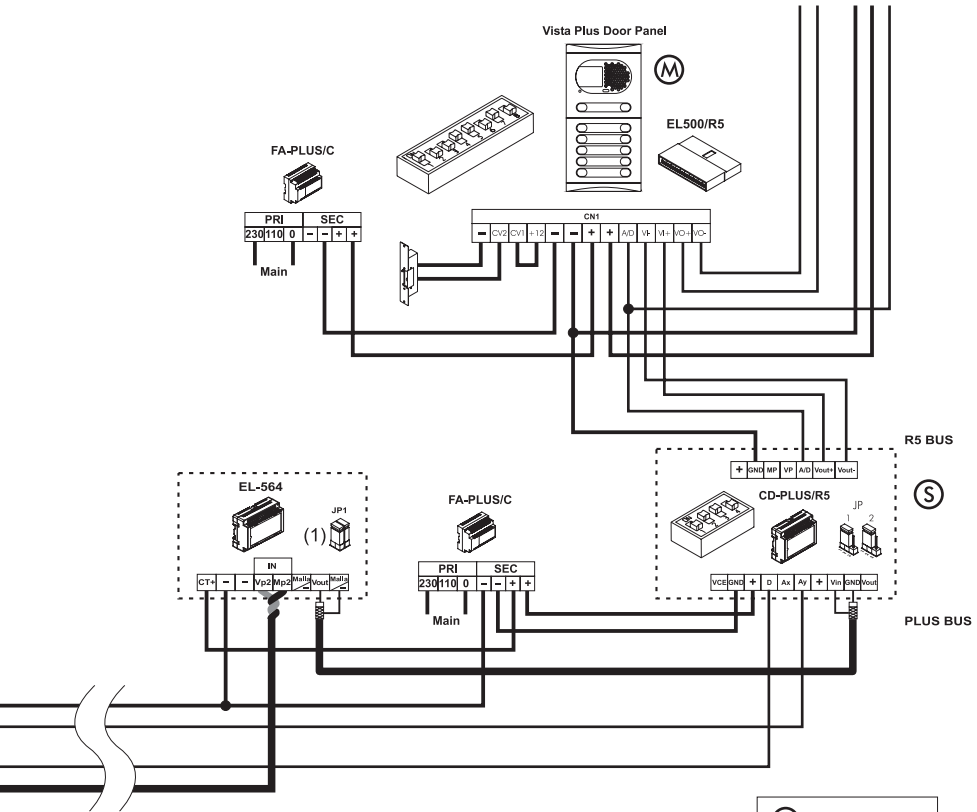


Twisted Pair to Coaxial Converter (Vista Plus system with general entrance door panel Plus and 4+TP installation).



IMPORTANT: To configure and to program each equipment see the appropriate instruction book.

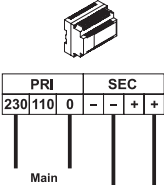
BACKBONE 250



(1) Set to On the jumper JP1 "end on line resistor" if the video cable (twisted pair) ends at the converter EL564.

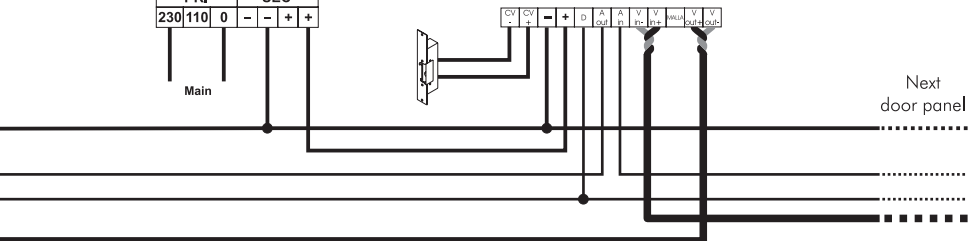
(M) = Master.
(S) = Slave.

FA-PLUS/C
rev.938072

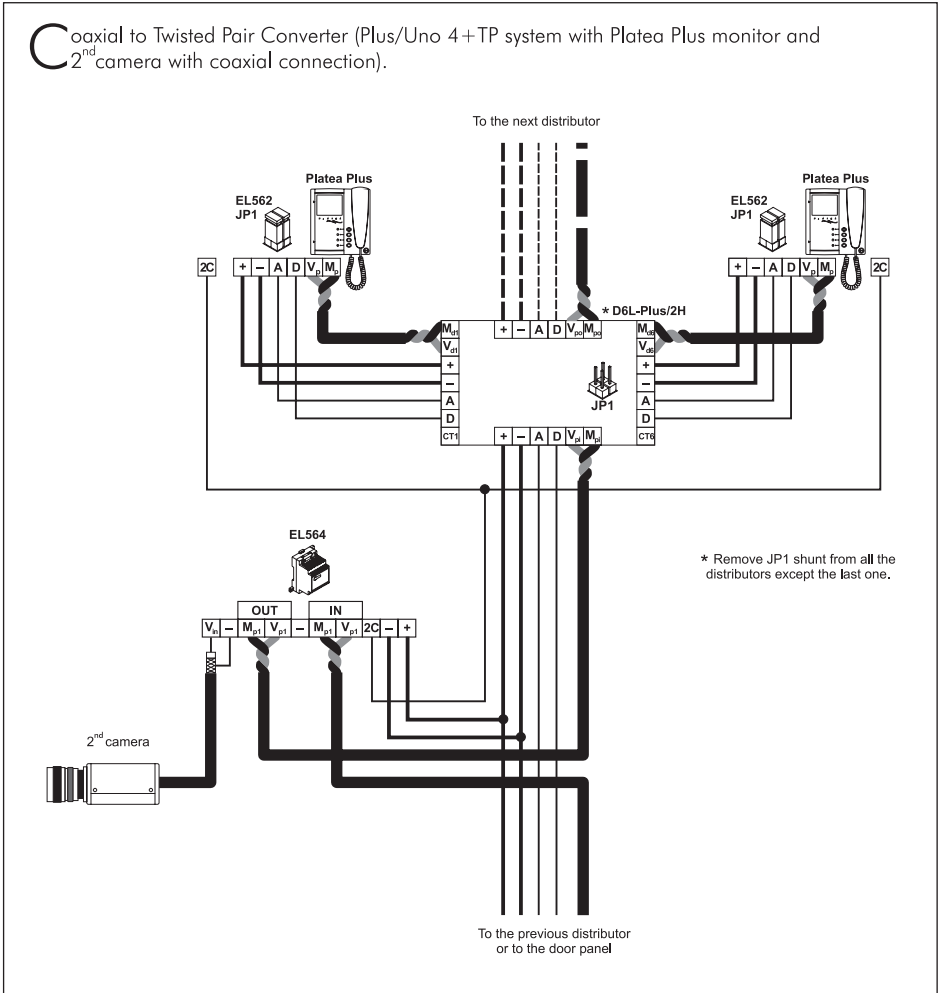


General entrance door panel (S)

Communication R.: DEACTIVATED



Coaxial to Twisted Pair Converter (Plus/Uno 4+TP system with Platea Plus monitor and 2nd camera with coaxial connection).



1141 Budapest, Fogarasi út 77. 1095 Budapest, Mester utca 34.
 Tel.: *220-7940, 220-7814, 220-7959, Tel.: *218-5542, 215-9771, 215-7550,
 220-8881, 364-3428 Fax: 220-7940 216-7017, 216-7018 Fax: 218-5542
 Mobil: 30 531-5454, 30 939-9989 Mobil: 30 940-1970, 30 959-0930

www.golmar.hu

E-mail: info@delton.hu Web: www.delton.hu